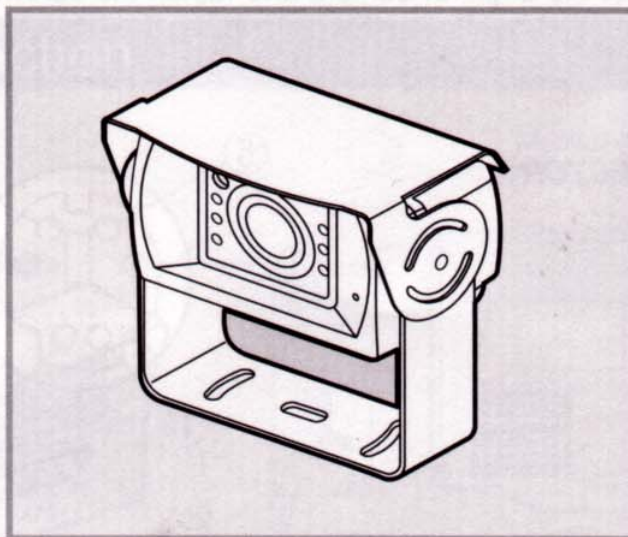


INSTRUCTION MANUAL

REAR-VIEW FOR VEHICLE

MODEL : CM-31A/CM-31AH/CM-32A/CM-32AH

Thank you for purchasing this product.
For proper usages and application, please read
this instruction manual thoroughly.



RECORD YOUR MODEL NUMBER (Now, while you can see it)
The model and serial number of your CAMERA are located on
the back of the cabinet. For your future convenience, we suggest
that you record these numbers here :

MODEL number : _____

SERIAL number : _____

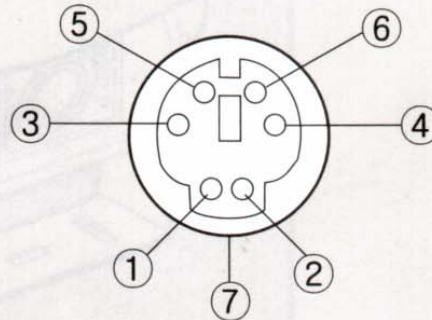
1. Features

- Aluminum die-casting housing.
- The camera is designed for compact size and waterproof housing.
- Auto-Iris makes the picture fine in any bright condition.
- The highest quality of CCD provides you with the best picture.
- Night vision using the CDS sensor.

2. Installation

- (1) Determine a position and a direction of installation so that the rear view can be effectively seen on the monitor screen.
- (2) Fix the camera bracket to the vehicle using the provided adhesive tape and tapping screws with spring washers.
- (3) Fix the camera between the camera bracket and sun visor using machine screws, and adjust the angle of camera and fasten the screws firmly.
- (4) Run the cable from the monitor to the camera.

● CAMERA CONNECTOR

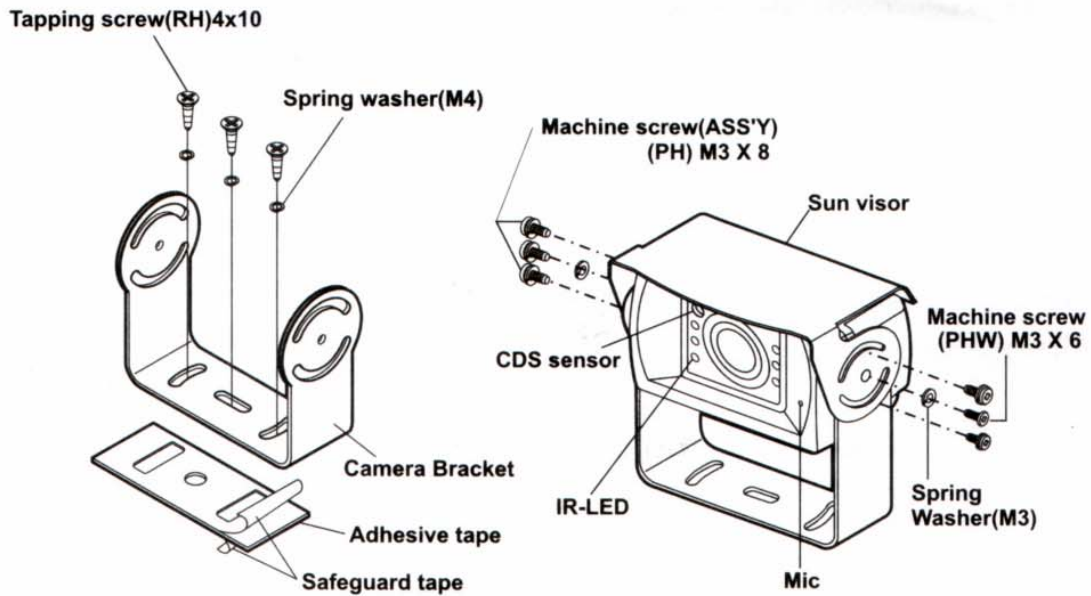


Pin No	Description
1	POWER IN(DC +12V)
2	NC
3	NC
4	VIDEO OUT
5	AUDIO OUT
6	NOR/MIR
7	GND

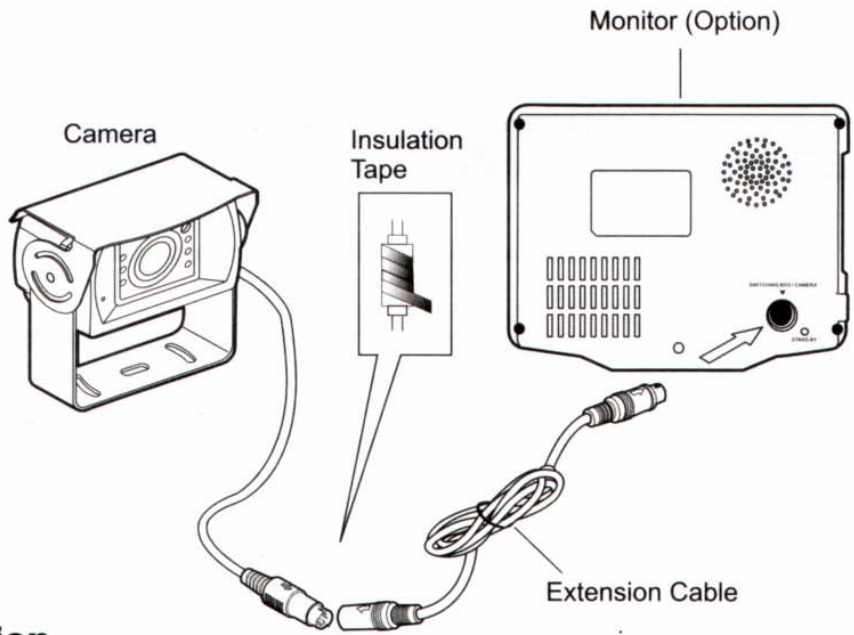
< CM-31A /32A >

Pin No	Description
1	POWER IN(DC +12V)
2	HEATING B+ (DC +12V)
3	NC
4	VIDEO OUT
5	AUDIO OUT
6	NOR/MIR
7	GND

< CM-31AH/32AH >



3. Connection



Caution.



Before making the connection, disconnect the ground terminal of the car battery to avoid short circuiting.



The plug should be fully inserted into connector or jack. A loose connection may be caused malfunction of the unit.

4. Cleaning and General Maintenance

- If your vehicle has been parked in direct sun light resulting in a considerable rise in temperature inside the vehicle, allow the unit to cool off before operating.
- Clean the unit with a slightly damp soft cloth. Use a mild household detergent. Never use strong solvents such as thinner or benzine as they might damage the finish of the unit.

Cleaning and General Maintenance.

CLEANING

Unplug or power off mode before cleaning. Do not use liquid cleaners or aerosol cleaners. Use a damp cloth for cleaning.

OBJECT AND LIQUID ENTRY

Never push objects of any kind into this monitor equipment through holes as they may touch dangerous voltage points or short-out parts that could result in a fire or electric shock.

Never spill liquid of any kind on the product.

SERVICING

Do not attempt to service this system by yourself as opening or removing covers may expose you to dangerous voltage or other hazards. Refer all servicing to qualified service personnel.

5. FCC Compliance Statement

FCC Compliance Statement.

NOTE

This equipment has been tested and found to comply with the limits for a Class B digital device, pursuant to part 15 of the FCC Rules. These limits are designed to provide reasonable protection against harmful interference when the equipment is operated in a commercial environment.

This equipment generates, uses, and can radiate radio frequency energy and if not installed and used in accordance with the instruction manual, may cause harmful interference to radio communication. Operation of this equipment in a residential area is likely to cause harmful interference in which case the user will be required to correct the interference at his own expense.

CAUTION

Any change or modification in construction of this device which are not expressly approved by the party responsible for compliance could void the user's authority to operate the equipment.

6. Specification

■ CM-31A/31AH (B/W CCD)

Pick-up device	ELA	1/3" 250,000 pixels B/W CCD
	CCIR	1/3" 290,000 pixels B/W CCD
View of angle	120 degree diagonal	
Minimum illumination	0.01LUX	
Input Voltage	DC 12V/200mA Max	
Operating Temperature	-10℃ to + 55℃ (+14°F to +131°F)	
Camera Weight	0.4Kg(0.88lbs) including bracket	
Dimension	70(W) X 44(H) X 57(D)mm	
	2.7(W) X 1.7(H) X 2.2(D)inch	
Accessories	Camera Bracket	1
	Sun Visor	1
	Adhesive tape	1
	Machine screw(Ass'y)(PH) M3x8	4
	Machine screw(PHW) M3x6	2
	Tapping screw(TH)4x10	3
	Spring washer(M3)	2
	Spring washer(M4)	3
	Insulation tape	1
	Extension cable	1

■ CM-32A/32AH (COLOR CCD)

Pick-up device	NTSC	1/3" 250,000 pixels COLOR CCD
	PAL	1/3" 290,000 pixels COLOR CCD
View of angle	120 degree diagonal	
Minimum illumination	0.01LUX	
Input Voltage	DC 12V/200mA Max	
Operating Temperature	-15°C to + 65°C (+5°F to +149°F)	
Camera Weight	0.4Kg(0.88lbs) including bracket	
Dimension	70(W) X 44(H) X 57(D)mm	
	2.7(W) X 1.7(H) X 2.2(D)inch	
Accessories	Camera Bracket	1
	Sun Visor	1
	Adhesive tape	1
	Machine screw(Ass'y)(PH) M3x8	4
	Machine screw(PHW) M3x6	2
	Tapping screw(TH)4x10	3
	Spring washer(M3)	2
	Spring washer(M4)	3
	Insulation tape	1
	Extension cable	1

※ Design and specifications could be changed without notices.